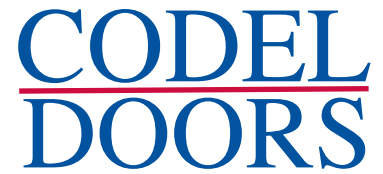


# Screen Door Installation Instructions



## Parts Provided

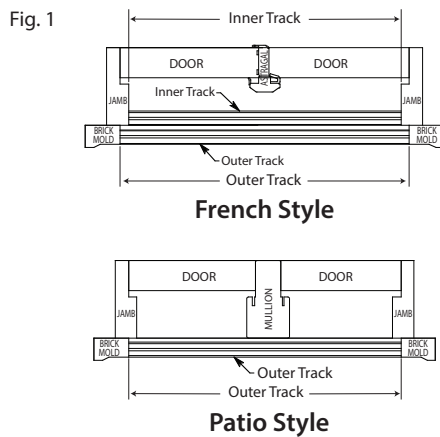
- 1 (each) Screen Door
- 1 (each) Header Track
- 1 (each) Side Track
- 1 (each) Installation Screw Bag
- (12 (each) #6 x 1" Panhead Screws)

## Recommended Tools

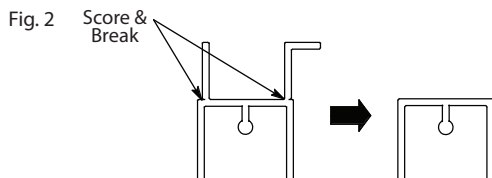
- Tape Measure, #2 Phillips Screwdriver, Flat Blade Screwdriver, Utility Knife, Hacksaw, Safety Glasses

## Installation:

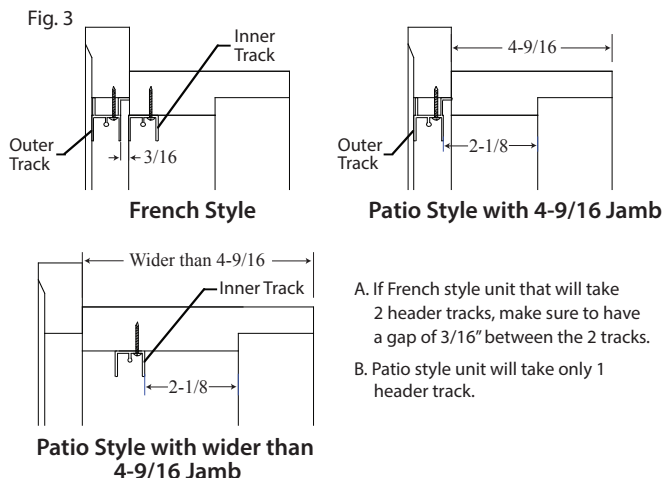
1. Measure and cut header track to size with hacksaw.



2. For header track that is applied to the jamb, score the upper flanges.

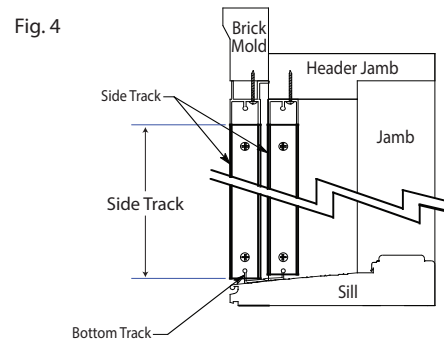


3. Apply header track(s) to either head jamb or brickmolding using 5-6 of the screws provided.

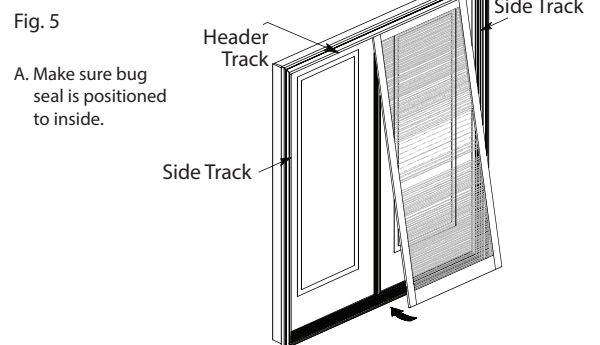


4. Measure and cut side track with saw.

- A. Align side track to header track and attach with 5-6 screws provided. -The bottom track should be aligned to the center of the track.



5. The screen should be installed top first into header track, then positioned over the bottom track on sill.



6. Adjustments to level the screen can be made at bottom of screen.

