

DOUBLE DOOR INSTALLATION

DOUBLE DOOR INSTALLATION:

For Double door installation follow steps 1-3 and 5-10.

When shimming double door unit be aware of the reveal on the top as well as along the astragal.

It may be necessary to predrill and shim the head as well to create proper 1/8" reveal.



SIDELITE DOOR INSTALLATION

SIDELITE DOOR INSTALLATION:

For sidelite unit the predrilling required will be on the face of each sidelite jamb.

Location of predrill should be at the same level as the hinges.

Follow steps 1-3 of installation instructions.

Shim in area of predrill to level on each side of jamb.

Once level, secure each side with 3" screws.



COMPLETION

Once door unit is installed it is important to make sure any sources of moisture penetration are sealed.

Exterior:

- Completely caulk around the brickmould or moulding of unit to seal out the weather.
- It is also important to caulk around the bottom of the unit, filling any gaps.
- Any predrilled holes in face jamb will need to be filled with wood putty.



Interior:

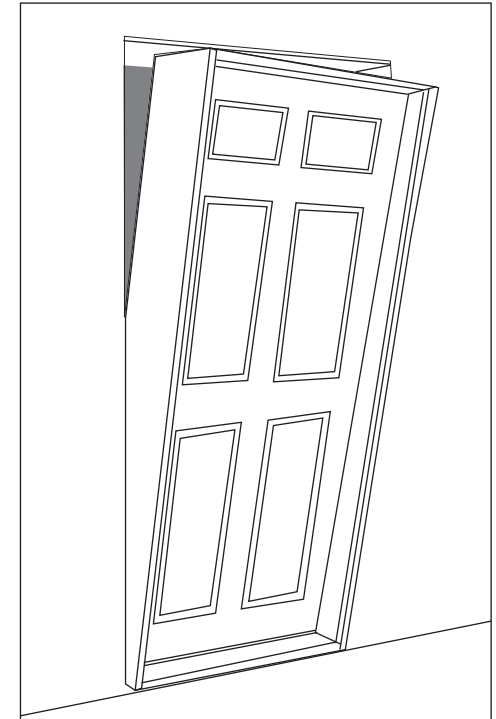
- Before installing interior trim around the unit it is important to fill any of the gaps between fixed wall and back of jambs.
- It is recommended to use a Polyurethane low expansion foam (window & door insulating sealant).
- Also put a bead of caulk at edge of sill to help seal out the weather.
- Apply interior trim and fill any holes with wood putty.

Storm Doors: Our doors are energy efficient and storm door protection is not necessary. If installing a storm door, keep in mind that it should be ventilated to help reduce the amount of heat build-up. Full-view, non-ventilated storm doors in areas where no overhang and constant sun exposure is present will most likely lead to accelerated issues due to the extreme heat (UV deterioration, color fading, warping, caulk/sealant oozing).

Primed wood jambs must be painted within 30 days of receipt of order to retain warranty.

CODEL DOORS

ENTRY DOOR Installation Instructions



*The purpose of the installation instructions is to give information on how to best install new entry systems. **CAUTION:** Entry systems are HEAVY! Always have two people to lift and install. (Use proper lifting techniques and follow proper workplace safety practices). If an unfinished entry system was purchased, we recommend finishing prior to installation.*

Tools Needed:

- Safety glasses & gloves
- Tape measure
- Claw hammer
- Square
- 36"-48" level
- Cedar or composite shims
- Utility knife
- Pry bar
- #3 Phillips screwdriver
- Caulking gun
- High quality clear exterior sealant/caulk
- Power drill with assorted bits
- Putty knife & wood putty
- Polyurethane low expansion foam (window & door insulating sealant)

Before tearing out old door unit or installing in new construction check the following:

1. Is new unit correct size?
2. Is new unit correct swing (inswing/outswing)?
3. If your door has a protective cover do not remove until installation is complete. (This helps protect door from damage.)

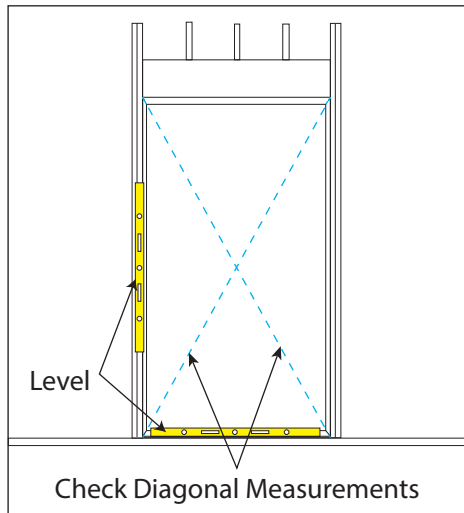
ROUGH OPENING PREPARATION (ALL UNITS):

The recommended rough opening for your new unit is 1" wider & 1/2" higher than the new door unit.

CRITICAL (Fig. 1-1):

The opening needs to be square and plumb.

- Measure diagonally from corner to corner to check for square.
- Use a square and level to check frame for level and square.
 - As well the subfloor needs to be level.
- A solid subfloor is essential to a quality installed unit.
- DO NOT proceed with install unless subfloor is confirmed solid and level. This allows door unit to close and seal properly.



(Fig. 1-1) Establishing square and level.

INSTALLATION:

1. (Fig. 1-2) Run 3 generous beads of caulk along the subfloor where the door will be positioned and also on the bottom of the sill to help seal unit and keep water out. (If using Jamsill Guard (Fig. 1-3) install according to box instructions.)

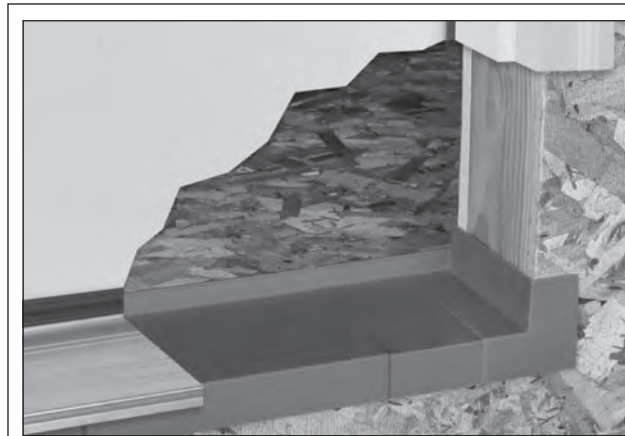
2. If brickmould is attached to unit apply caulk to backside of moulding to help seal.

3. For single door unit remove plastic door plug and from the outside set the unit into opening.



(Fig. 1-2) Caulking the sub-floor.

4. From the inside apply shims behind hinges on hinge jambs and at the same level on the latch side.



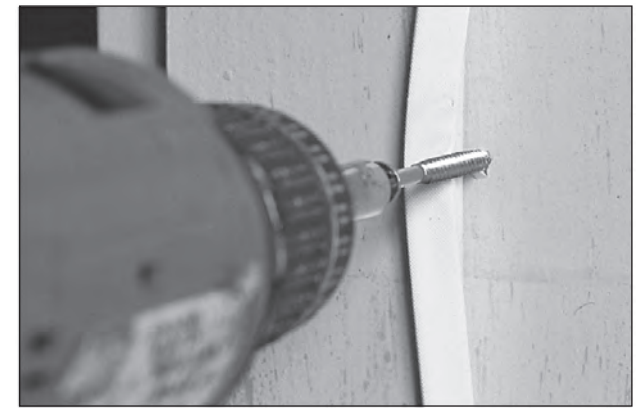
JAMSILL GUARD (Codel recommended/optional):

Jamsill Guard is an adjustable sill pan flashing for exterior doors designed to help prevent water damage from door leaks. This product has been time tested for over 25 years. It is able to accommodate most door applications in either 2 x 4 or 2 x 6 construction and is not visible after installation. Codel recommends using Jamsill Guard. **Failure to install sill pan will VOID any warranty against leaking.**

(Fig. 1-3) Jamsill Guard installation.

5. Starting with hinge jamb predrill behind the weatherstrip or on wider jambs through jamb face in the area of the shims. It is strongly recommended that you remove the weather-stripping to ensure that you do not pierce or puncture it. For inswing adjustable sills it may be necessary to adjust the sill upwards to make sure there is slight contact between threshold and sweep of door. This is critical for correct sealing of the unit.

6. (Fig. 1-4) Place a screw/nail through the predrilled hole at top of hinge jamb to temporarily secure door unit.



(Fig. 1-4) Screw/nail to temporarily secure door unit.

7. Place level on hinge jamb and shim until jamb is level. (See Fig. 1-5)

8. After shimming jamb level is complete secure with screws through the predrilled holes.

9. Once completed install provided 2-3/4" screws through hinges to fully secure unit.

10. For the latch jamb follow steps 5-9 while making sure there is an even 1/8" reveal/gap between door slab and jamb.

Shimming

(Fig. 1-5) One of the most important aspects of installing an exterior door is the shimming. When shims are properly installed using screws at the locations shown, the frame should not move or twist when the screws are tightened. The goal is to maintain a 1/8" reveal (gap) between the door and the jamb on the top and sides. If there is any movement of the shims when tightening the screws, loosen the screw and either increase or decrease shimming to maintain the 1/8" reveal, and then re-tighten the screws.

