

Care and Finishing Procedure for DF21 & 22 Wood Doors

Handling

1. Do not walk on any door units. Some units contain glass.
2. Avoid dragging doors across one another and keep doors clean. Handle with clean gloves.
3. Store flat on a level surface in a dry, well ventilated building. Avoid exposure to direct sunlight.
4. Doors should be conditioned to average prevailing relative humidity of the locality before hanging.
5. Doors should not be subjected to extreme or rapid changes in heat or humidity. Avoid sudden changes such as forced heat to dry out a building.
6. If the doors are to be stored on the job site, all surfaces including ends and edges must be sealed with an effective quality oil-base sealer within 72 hours to prevent undue moisture absorption.
7. Use three hinges on doors 7'0" in height or less, and four hinges on doors over 7'0" in height.

Preparation for Finishing

1. Before applying the first coat of finish, sand the entire surface lightly with (180 grit) sandpaper. This removes fingerprints and handling marks, as well as opening the wood grain to enhance the stain penetration. For doors with square shaker sticking, lightly ease the outside edge of the sticking with sandpaper. To avoid cross-grain scratches, always sand with the direction of the grain.
1. SPECIAL NOTE: Douglas Fir doors should also be wiped down with Acetone prior to sanding. As Douglas Fir has a heavy sap content, this extra step will clean the surface of any sap stain.
2. Adjust or align components if necessary before finishing. Wood panels "float" and may be knocked into alignment with a wood block and hammer. Be careful not to damage door.
3. After sanding, clean door thoroughly with a cloth to remove all dust or foreign material. Do not use caustic or abrasive cleaners.
4. Hang door before finishing, and then remove to finish properly.
5. All surfaces of the door must be properly finished. The edges (top, bottom and sides) should be coated with each and every coat of finish that is applied to the exterior surface of the door. Doors must be dry before finishing.

6. On exterior doors that are glazed with clear glass, the finish used should be flowed from the wood slightly onto the glass. This will provide assurance against water leakage and protect the glazing compound "putty" from drying out. In areas exposed to occasional rain, a secondary "CAP BEAD" caulking must be applied between glass and molding. See Figure 1

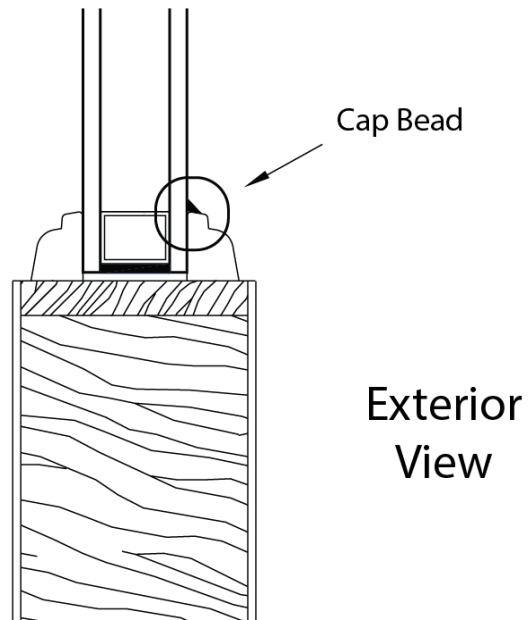


Figure1: Caulk between Exterior Glass and Molding

*Note: It is the finisher's responsibility to protect glass prior to and during finishing.

7. On doors that have plastic film protection on glass, removal of plastic film protection immediately after applying the finish is required. Failure to remove the plastic film at this time may cause harm to the glass and will create difficulty in removing the film at a later time. Do not use razor blades or sharp objects to remove the film or clean the glass. These items will scratch the glass.

Exterior Finishing

NOTE: Avoid "DARK COLORFINISHES" in areas exposed to direct sunlight. Dark colors will contribute to warp and or checking.

1. Stain-and-Clear Finish

The first coat should be stain-and-sealer, a combination of stain and sealer, which colors the door and seals the surface. It is available in a wide range of colors. The stain-and-sealer should have an alkyd-resin base. Under no circumstances should a lacquer-based toner or any other lacquerbase finish be used on exterior doors.

The second and third coats (two top coats minimum) may be a solvent-borne (oil-base, alkyd-resin base, polyurethane resin-base) or a water-borne (latex resin-base) clear finish. Coatings must be adequate to bridge the stile & rail joints to seal the door. Here are the Pros and Cons of solventborne vs. Water-borne clear finishes:

*Solvent-Borne

Advantages: Faster drying, harder and more water resistant. May be applied under variable weather conditions.

Disadvantages: Subject to ultraviolet degradation and not as flexible or durable as waterborne clear finish.

*Water -Borne

Advantages: very flexible, greater ultraviolet resistance, and good exterior durability.

Disadvantages: Cannot be applied below 10°C (50°F), long drying period required, and may not cure fully for several weeks. Water sensitive until cure is complete.

Note: Do not sand between coats of clear latex. All stain-and-clear finishes will perform measurably better if protected from direct effects of sunlight and weathering, and refinishing will not be required as frequently.

2. Paint Finish

Either oil-base or latex resin-base exterior grade paints may be used with success on panel doors. Oil base paints offer more resistance to the passage of water (liquid and vapor) than latex resin-base paints, but the latter have better durability and color retention.

Doors should be sealed with good quality oilbase primer followed by two top coats of either an oil base or latex resin-base paint. Of course, both

primer and top coat should be made by the same manufacturer and be designed to be used in combination.

Note: where possible exposure to direct sun or rain is a factor, doors should be sealed with premium quality oil-based primer followed by two top coats of a premium quality oilbase paint.

3. Caution

Trimlite cannot evaluate all the available paints and stains, or the customers' specific application requirements, your paint dealer should know of suitable finish systems that give satisfactory results in your region. It is highly recommend that top quality finishes be selected, and the application instructions on the container be followed explicitly.

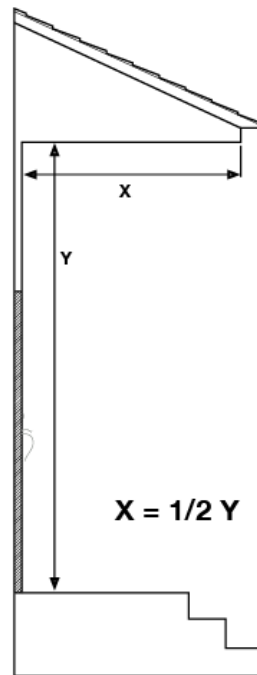


Figure 2: Where X is the length of the overhang required and Y is the distance from the bottom of the door to the base of the overhang.

Figure 2: Overhang Guide

Interior Finishing

1. Stain- and-Clear Finish

A solvent-borne finish system is recommended for interior doors and may be a lacquerbased system. If a brush application is to be used, it is recommended that a pre-sealer be used prior to staining. For best performance, a minimum of two clear top coats should be used over stains.

2. Doors should be sealed with a good quality oilbase primer followed by two top coats of a solventbase or latex enamel.

Fitting and Hanging

1. When hanging door, allow adequate clearance for swelling of door or frame in damp weather. Allow approximately 3/16" clearance for swelling when the door is installed in fully dry conditions. Jamb must be plumb.
2. Do not cut doors down in height by more than 2" (1 1/2" maximum from bottom, 1/2" maximum from top). Care should be taken in cutting doors down in width to avoid exposing engineered components. Use a sharp fine-tooth saw for trimming ends of doors.
3. Caution must be used to avoid impairing the strength of the door when fitting for locks. Allow at least 1" of wood back of mortise.
4. Use three hinges on doors up to 7' in height and four hinges on doors over 7'. Hinges must be set in a straight line to prevent distortion.
5. Prior to exterior exposure, doors must be finished with complete finish system.

Maintenance

Your door has been handcrafted to last for years to come. But, like any fine piece of furniture, its finish will require some simple, periodic maintenance to keep it looking and great and provide protection against the elements. Regular finish maintenance is also a requirement of the warranty that's included with every Trimlite Door.

Here are some signs to watch for. They indicate that it's time for some simple, easy-to-perform maintenance:

- Hairline cracks in the top coat of the finish
- Changes in the color of the finish
- Changes in the texture of the finish, such as flaking or scaling
- Dullness or chalkiness in the finish

If you live in a severe climate or your entry receives a lot of direct sunlight from a southern or western exposure, you'll want to examine your door's finish often. Depending on the conditions, you may also need to maintain the door finish more frequently.

Stile and rail wood doors have multiple areas for moisture to gain access, therefore it's very important to pay particular attention to adequate overhang and use only premium high quality coatings and finishing techniques. In the event of little or no overhang please ask your Trimlite Customer Service Representative for other door options.